

6174K



CORAIRE™ CAMPING COT

User Manual

Please read and follow the safety and operating instructions carefully. Keep this document for future reference. Improper use may cause product damage or personal injury.

Inflation and Pressure Control

- Recommended inflation pressure: 1.5-4 psi. Adjust firmness to preference.
- Do not exceed 4 psi during inflation. Overpressure can deform or damage the mattress. If overinflated, release air immediately.
- In cold or high-altitude areas, fully deflate before travel and reinflate at destination to prevent expansion damage. Longer inflation time in these conditions is normal.
- Air remaining in the Patented Air Coils Structure is normal.

Usage Environment and Safety Practices

- Keep away from heat sources. Do not use near flames, heaters, or while smoking. Heat damage is not repairable or covered under warranty.
- Do not jump, walk, or stand on the mattress to avoid injury or damage.
- For indoor and outdoor use only. Not for water use — not a life-saving device, floatation aid, or water toy.
- Not suitable for long-term bedridden patients; use a medical-grade mattress if needed.

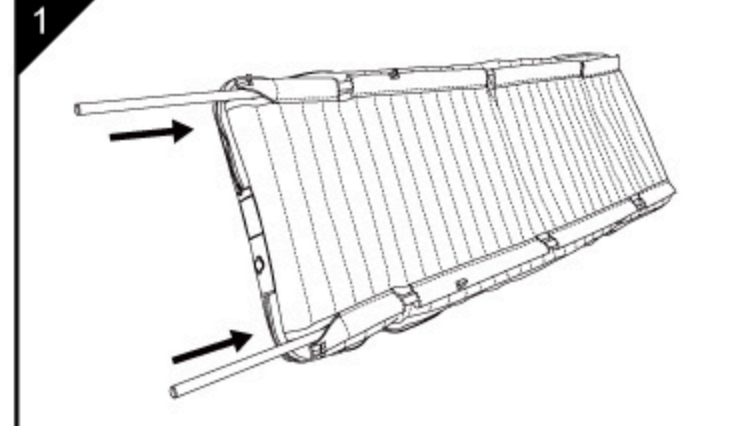
! CAUTION



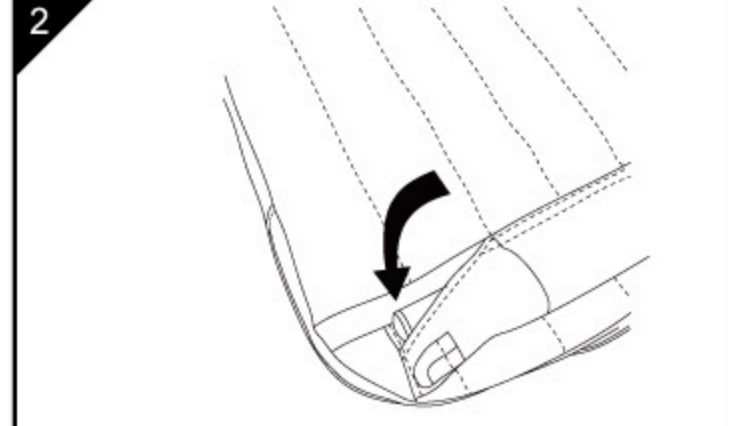
- To prevent suffocation or death, do not use this product for children under 3 years old.
- Keep at least 30 cm (12 in) from walls or objects to avoid trapping. Children and people with limited mobility should use only under supervision.



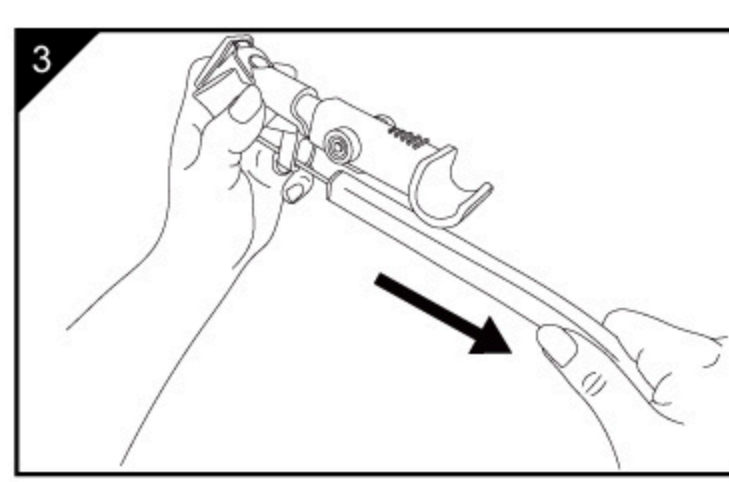
| INFLATION STEPS |



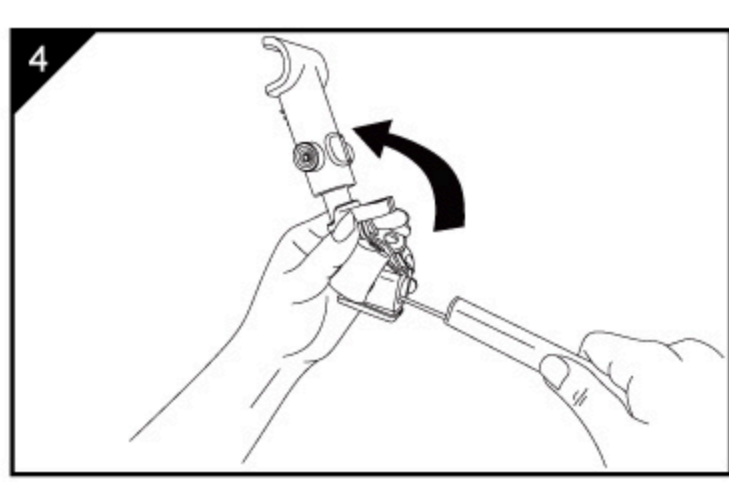
Slide the two support rods into the left and right mattress sleeves



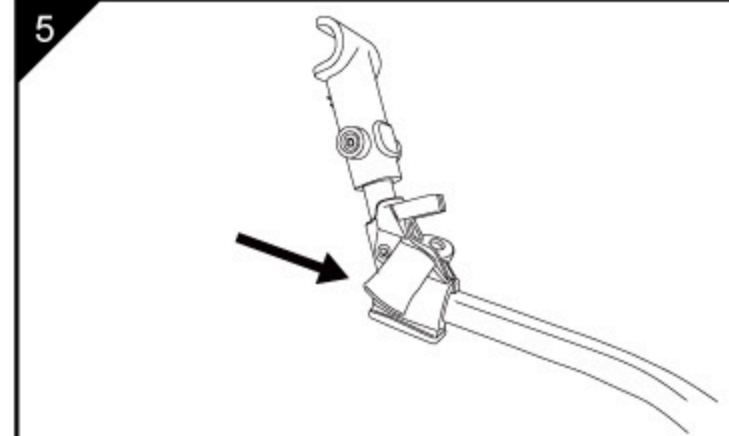
Ensure rod ends are fully inserted and tucked inside the sleeve pockets.



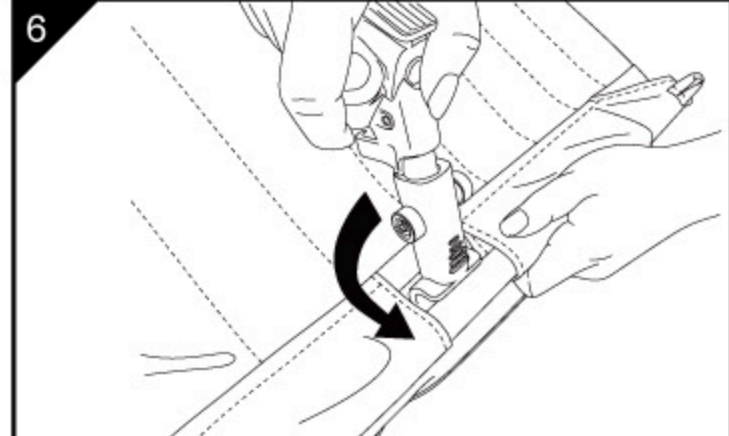
Pull out the locking device of the support frame.



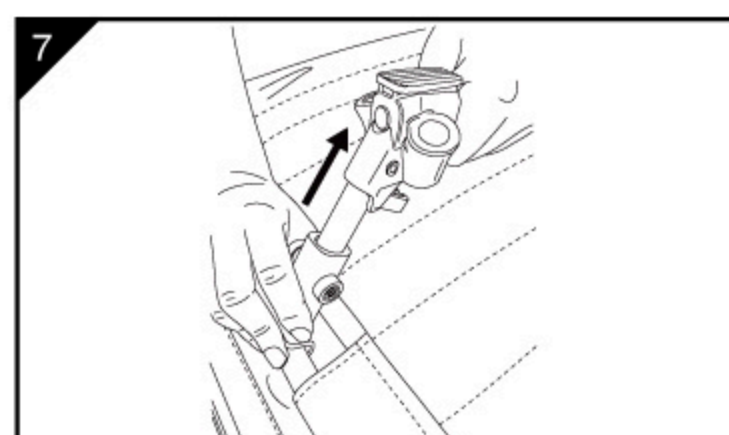
Rotate the locking device to the open position.



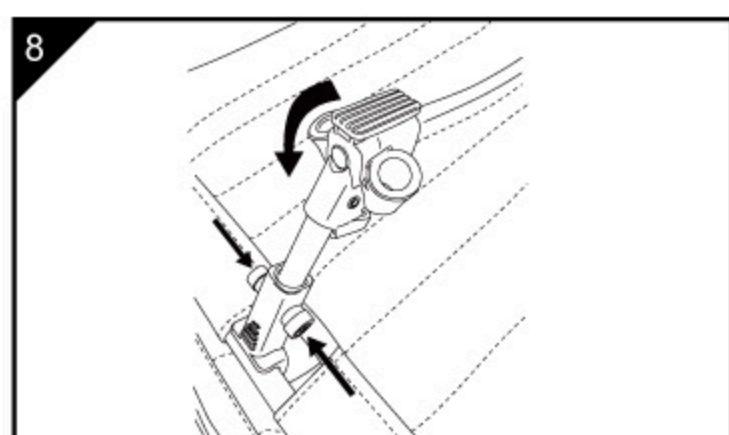
Insert the aluminum frame rod into the locking device.



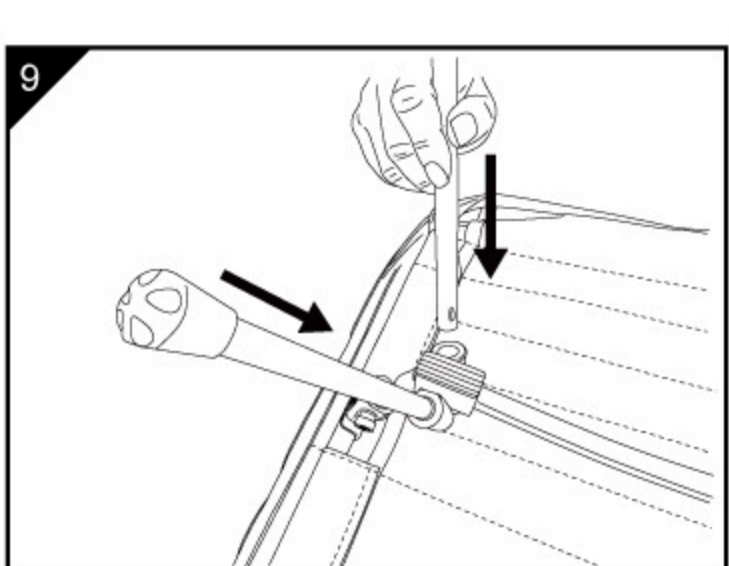
Snap the locking devices onto the mattress side rods.



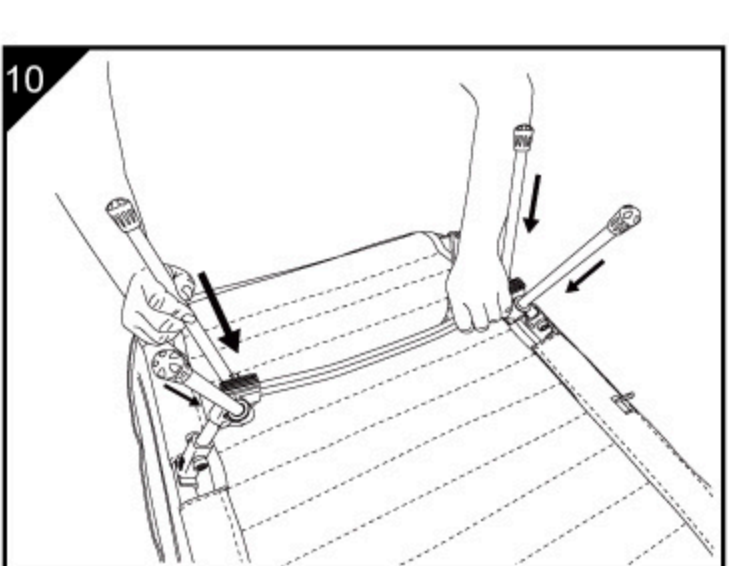
(To Lock) Pull the locking device upward until it clicks into place.



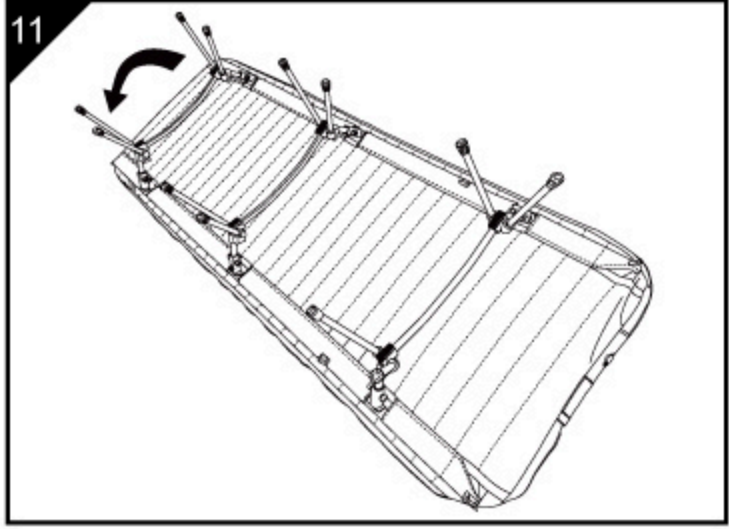
(To Release) Squeeze the metal buttons on both sides to release the tension.



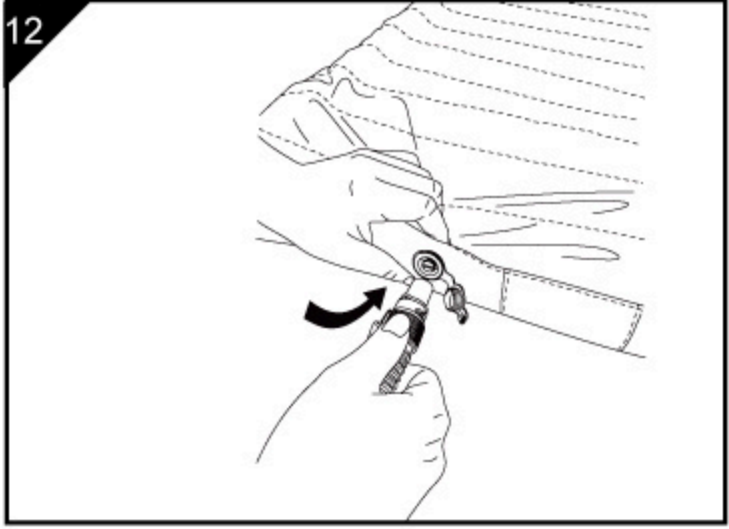
Press the leg tubes firmly into the support frames.



Install four leg tubes into each of the three support frames.



Flip the assembled frame so the mattress faces upward.



Pump air into the mattress until it is fully firm.

| INCLUDED |



Support rod x 2



Support frame x 3



Leg tube x 12