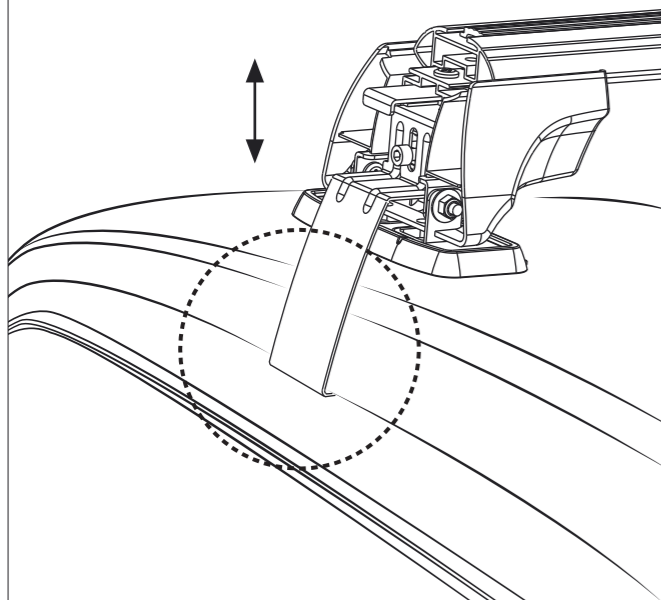
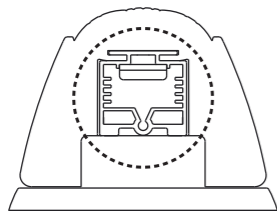




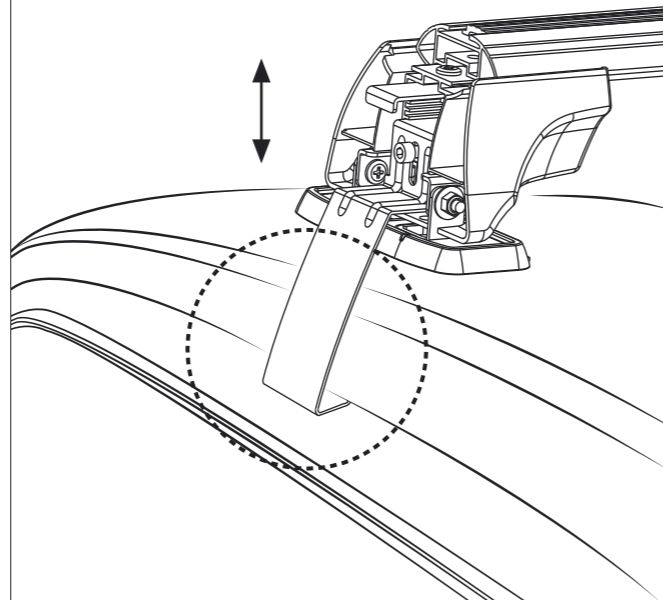
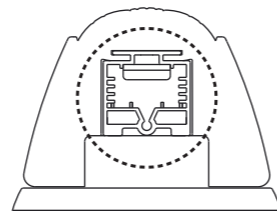
WARNING



限位塊有四階限位槽
可供鉤片去調整·請將鉤片安裝於
可緊貼於車門框內面的限位槽內
There are three different limit grooves
for clips to slide in.
Make sure that the end of the clip hooks
into the vehicle's roof.

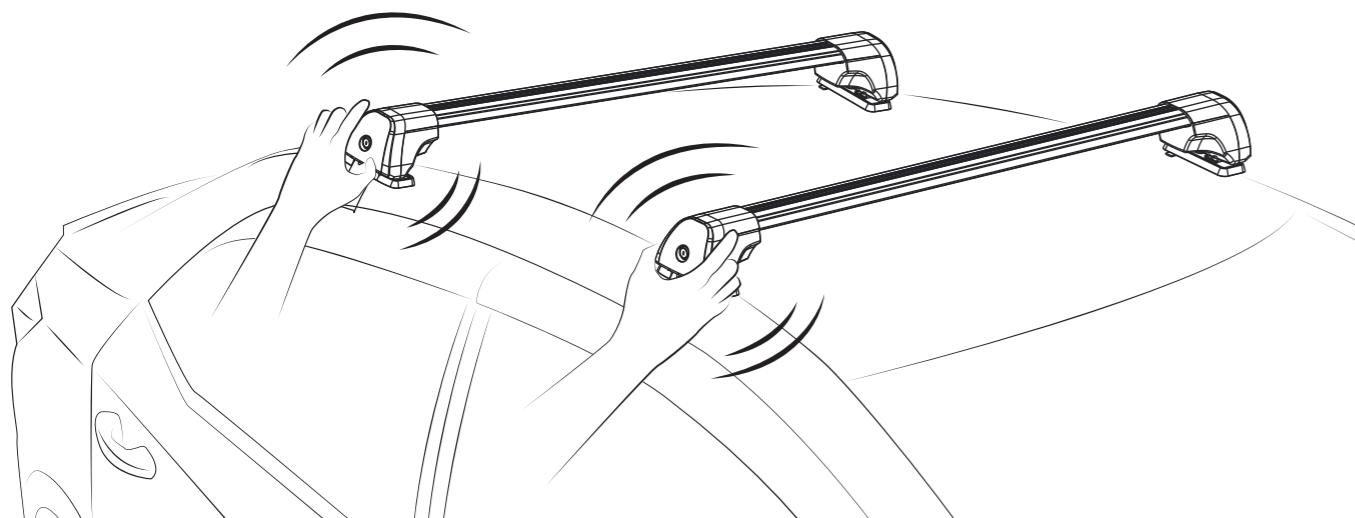


若鉤片無法密合·
請調整至合適的限位槽
以免發生鬆脫危險
If the hooked end of the clip does not go in fully,
make sure the height of the clip is adjusted properly.



安裝完畢後請抓緊車頂架並用力搖晃以測試是否固定牢靠·
若有晃動或脫落情況請將螺絲鎖緊或重新調整·
※務必於每次行車前再次確認·

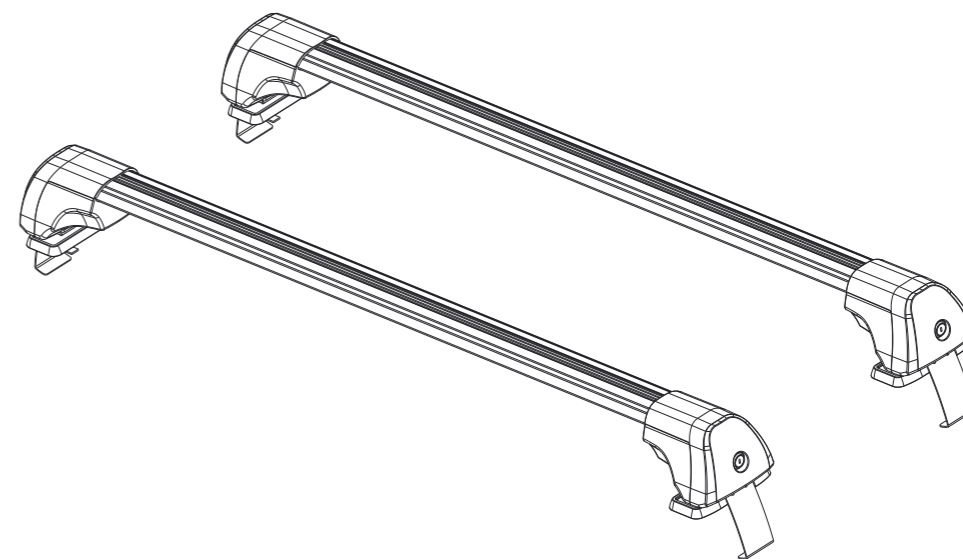
Before and after each trip, check to make sure the roof rack is fully secured onto your vehicle.



6112 Semi-Custom Car Roof Racks

專用型夾門式車頂行李架

[User Manual 使用手冊]



6112XS | 6112S | 6112M | 6112L | 6112S1 | 6112M1 | 6112L1

www.3dmats.com

20230109V01

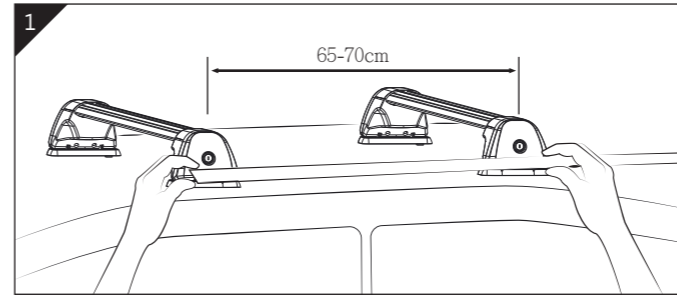
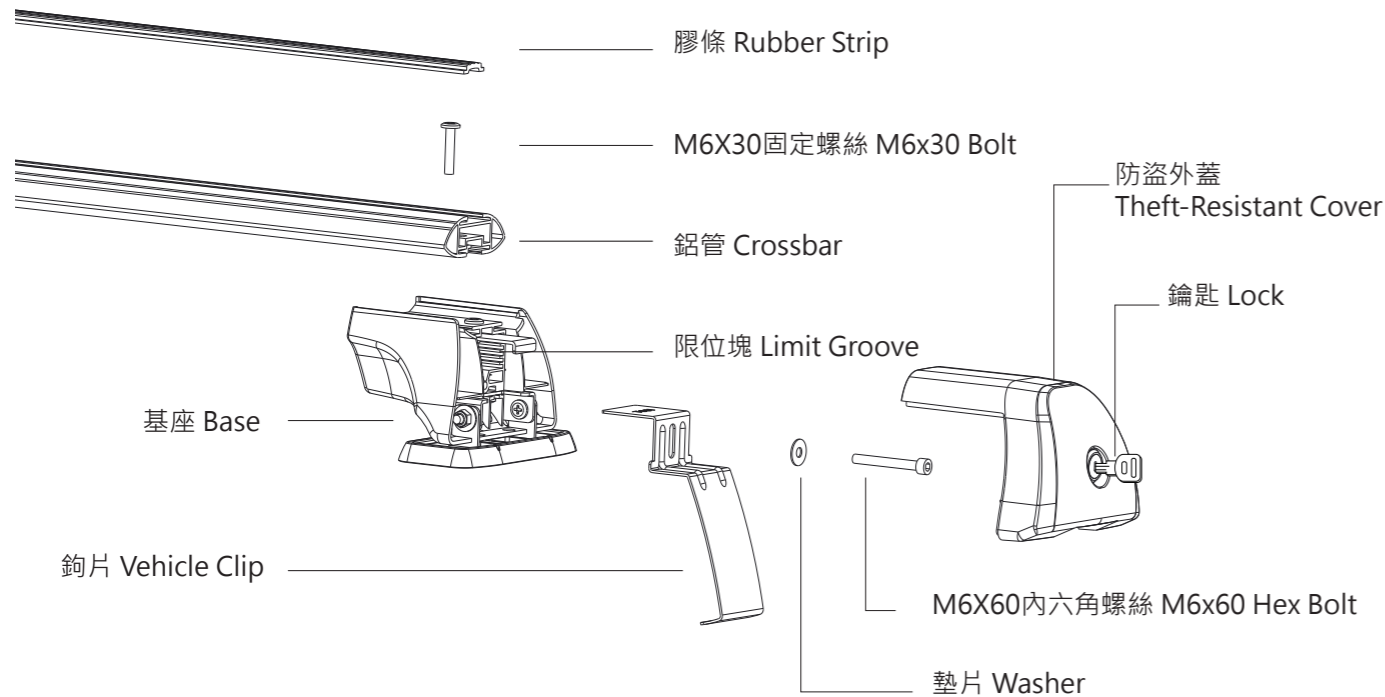
Notes and Precautions for Semi-Custom Car Roof Racks

- The Semi-Custom Car Roof Racks has been designed and manufactured to attach securely to a variety of vehicles with naked roof.
- Make sure that the Cross Bar is suitable for use with your particular vehicle and that items are secured and safely attached to the Cross Bars.
- During the drive, please check the attachment of the Cross Bar to the car roof to ensure it is fastened securely.
- Retighten the bolts if necessary. Make sure all the parts are in good condition. Contact an authorized dealer if any part needs attention.
- Always check your local laws regarding vehicle roof accessories.
- The maximum load for this universal Cross Bar is 165 lbs.
- Do not over load! The minimum distance between Cross bars is 23.5" . On rough roads, please reduce vehicle speed.
- This Cross Bar is designed for temporary use only, remove when not in use or in bad weather.
- Failure to obey the guidelines in the instruction will void the warranty.
- 3D° is not liable for any damage (to vehicles, cargo, and/or persons) in connection with purchase, use or handling of this product when the damage was caused by incorrect installation, or incorrect use of this product / accessories.

車頂架 使用前注意事項

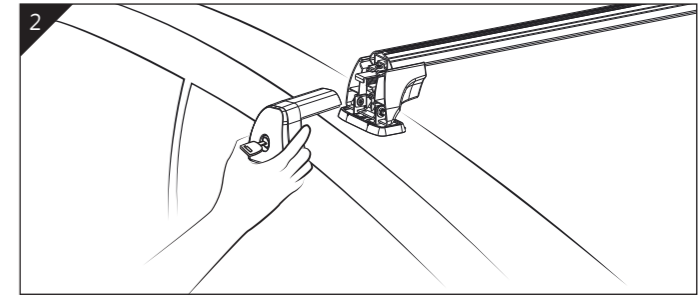
- 開始安裝前，請確實閱讀安裝說明書並遵照說明書組裝流程，確認包裝內零件是否有缺損或損壞情形，以確保您的權益。
- 每次安裝前請檢查產品個零件是否有磨損導致損壞之情形，如有此現象，應立即停止使用，並連繫經銷商。安裝完成後，請妥善保存說明書。
- 每次使用前即裝載物品後，需重複確認產品安裝是否牢固，以免發生危險，甚至引發嚴重事故。
- 安裝上或檢查上若有任何問題請隨時與附近經銷商聯絡。
- 暫時不使用本產品或欲清潔車輛時，請先將產品卸下並妥善保存。車輛上路行駛時，請務必遵照當地交通法規與速限行駛以免發生危險。
- 本產品對任何因安裝不當或未依說明書指示安裝進而導致人身和財產損害，3D°將不承擔任何責任。

[Parts List 產品圖示]



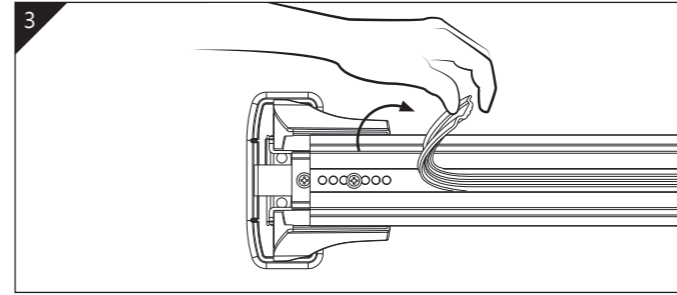
將行李架平行置於車頂適當位置
鎖匙孔之間距離需介於65-70公分(25-27英寸)

Position the racks so that they are approximately 25-27" apart from each other.



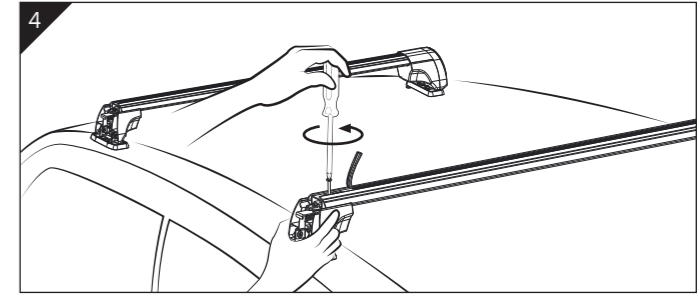
解鎖並取下防盜外蓋

Use the included key to unlock and remove the cover.



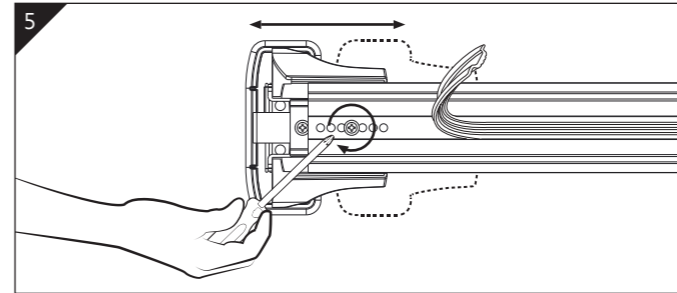
將鋁管頂部膠條翻起

Pull up on the rubber strip to reveal the bolt on the crossbar.



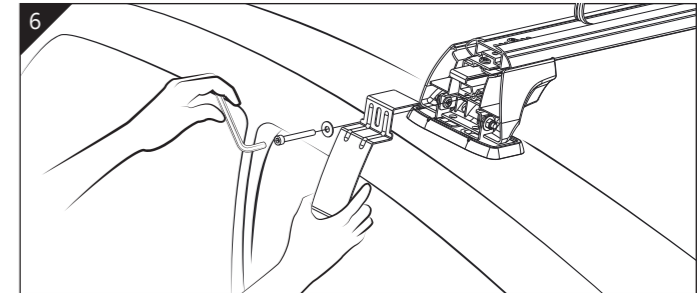
放鬆鋁架頂部M6x30固定螺絲

Loosen the bolt attaching the bar to the base.

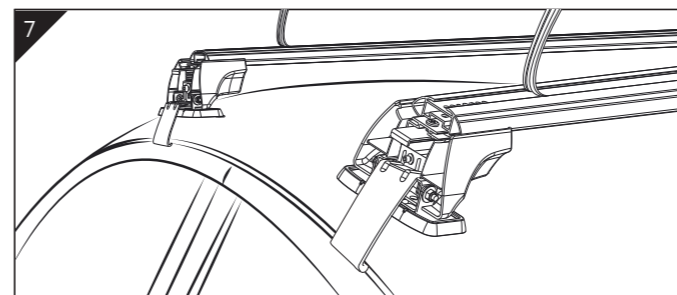


調整基座至適當的夾持寬度並將固定螺絲旋緊

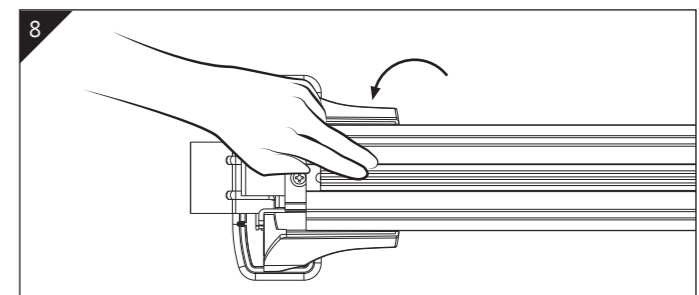
Adjust the base so that it fits the width of the vehicle's roof and tighten the bolt.



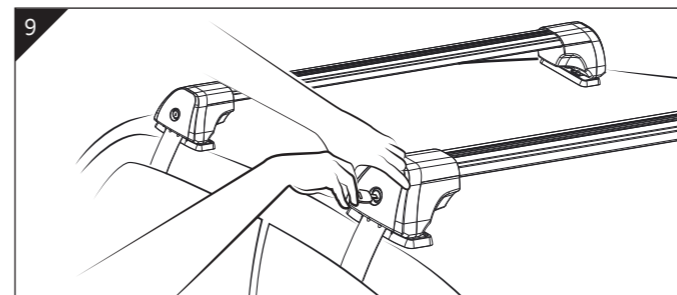
將鉤片、墊片與內六角螺絲鎖於合適高度的限位槽內
Install the clips using the bolt and washer.
Make sure the clip slide in the fittest limit groove.



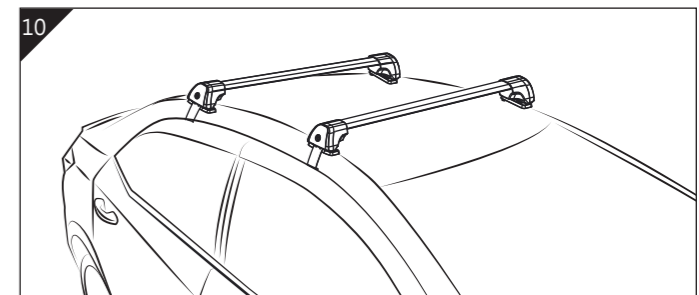
確保各鉤片緊扣於車門框內緣
Ensure that the hook end of the clips are attached securely to the edge of the vehicle roof.



將鋁架頂部膠條裝回
Push the rubber strip on the rail back down.



蓋上防盜外蓋並上鎖
Place the cover back and lock it.



安裝完成
This is how it should look when properly installed.