

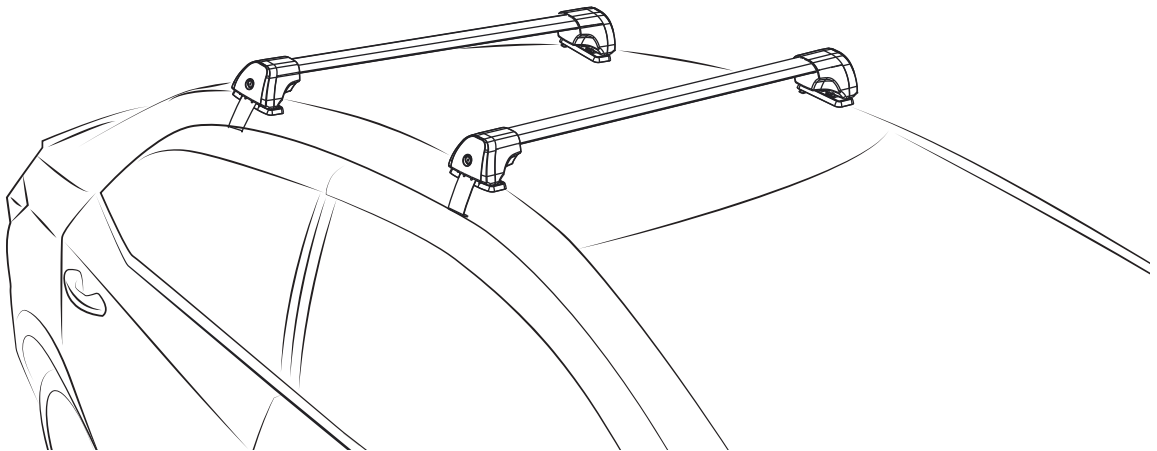


6112

Roof Racks Setting

行李架設置

HONDA ACCORD (CY/11th)
4dr SEDAN 2023+

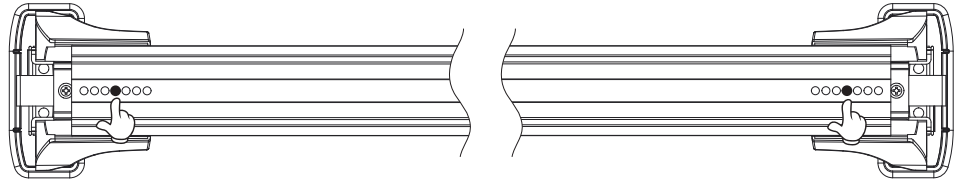


K126 K127

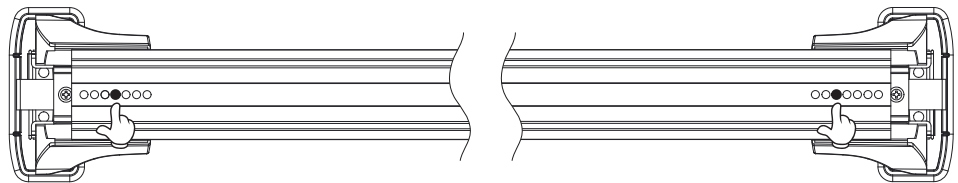
20231026V01



前桿 Front Bar 110cm		鉤片 Clip
由外向內第 4 孔 4th hole from outside to inside	由外向內第 4 孔 4th hole from outside to inside	K126



後桿 Rear Bar 110cm		鉤片 Clip
由外向內第 4 孔 4th hole from outside to inside	由外向內第 5 孔 5th hole from outside to inside	K127



與B柱門縫距離 Distance from Door Gap of B-Pillar	
Y 250mm	Z 400 mm

