

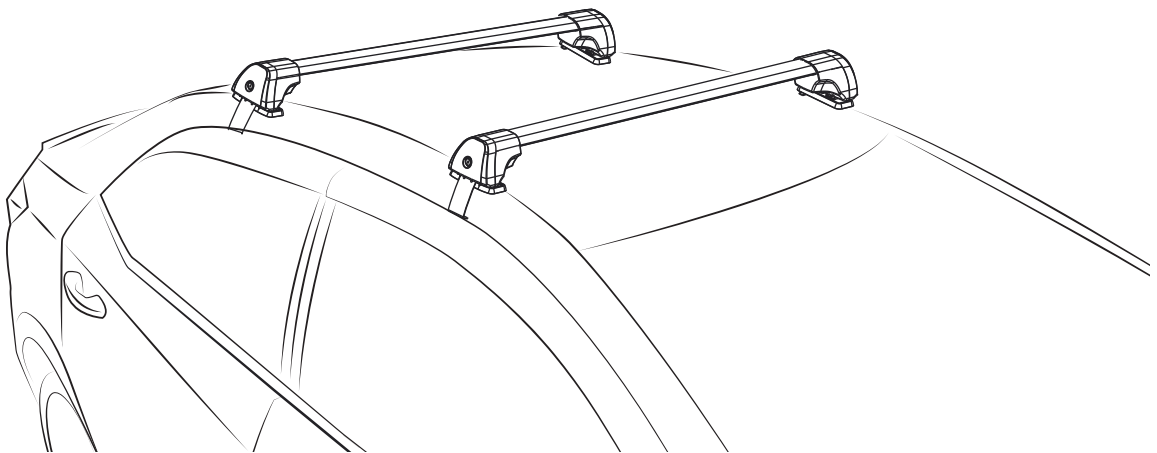


6112

Roof Racks Setting

行李架設置

TOYOTA CROWN CROSSOVER (S235)
5dr HATCHBACK 2022+

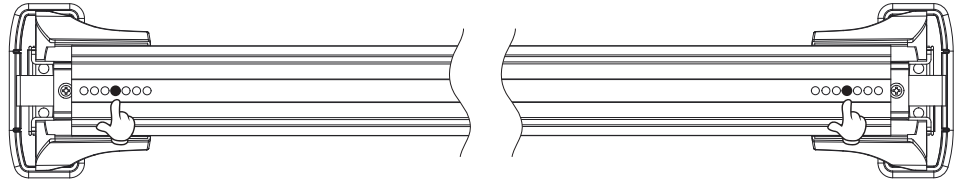


K102 K103

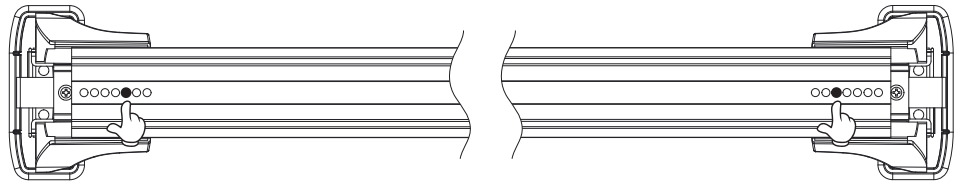
20230508V01



前桿 Front Bar 110cm		鉤片 Clip
由外向內第 4 孔 4th hole from outside to inside	由外向內第 4 孔 4th hole from outside to inside	K102



後桿 Rear Bar 110cm		鉤片 Clip
由外向內第 5 孔 5th hole from outside to inside	由外向內第 5 孔 5th hole from outside to inside	K103



與B柱門縫距離 Distance from Door Gap of B-Pillar	
Y 250mm	Z 400mm

