

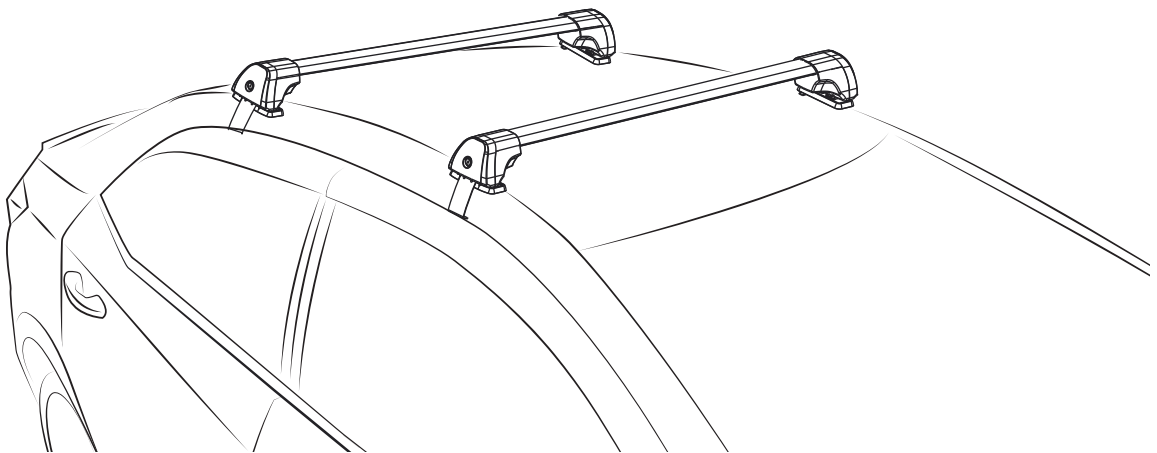


# 6112

# Roof Racks Setting

行李架設置

TOYOTA HILUX (AN110/AN120/AN130)  
4dr Pickup 2016+

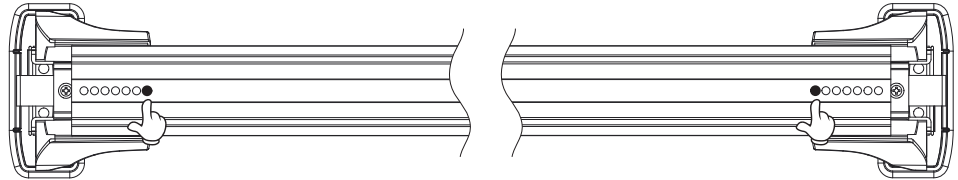


K001

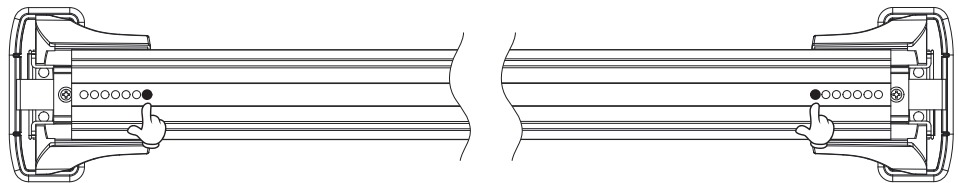
20221230V01



前桿 Front Bar 120cm		鉤片 Clip
由外向內第 7 孔 7th hole from outside to inside	由外向內第 7 孔 7th hole from outside to inside	K001



後桿 Rear Bar 120cm		鉤片 Clip
由外向內第 7 孔 7th hole from outside to inside	由外向內第 7 孔 7th hole from outside to inside	K001



與B柱門縫距離 Distance from Door Gap of B-Pillar	
Y 325mm	Z 325mm

