

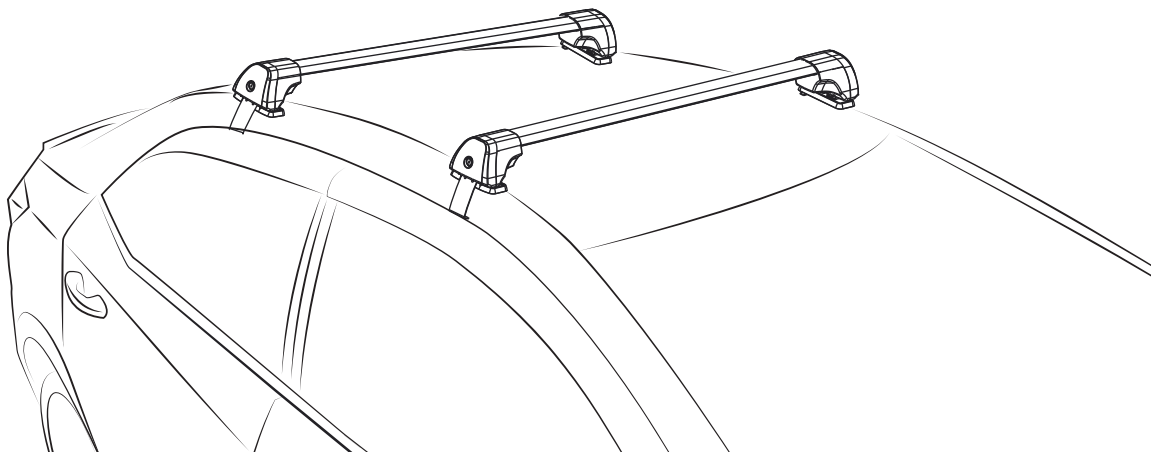


6112

Roof Racks Setting

行李架設置

TOYOTA INNOVA (AN40)
5dr MPV 2007-2016

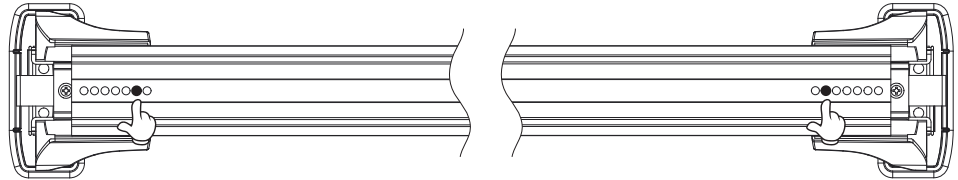


K032 K033

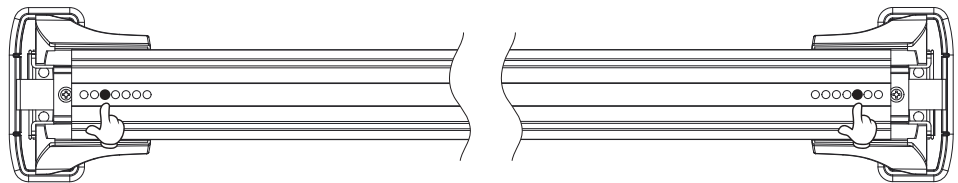
20220105V01



前桿 Front Bar 110cm		鉤片 Clip
由外向內第 6 孔 6th hole from outside to inside	由外向內第 6 孔 6th hole from outside to inside	K032



後桿 Rear Bar 100cm		鉤片 Clip
由外向內第 3 孔 3rd hole from outside to inside	由外向內第 3 孔 3rd hole from outside to inside	K033



與B柱門縫距離 Distance from Door Gap of B-Pillar	
Y 325mm	Z 325mm

