



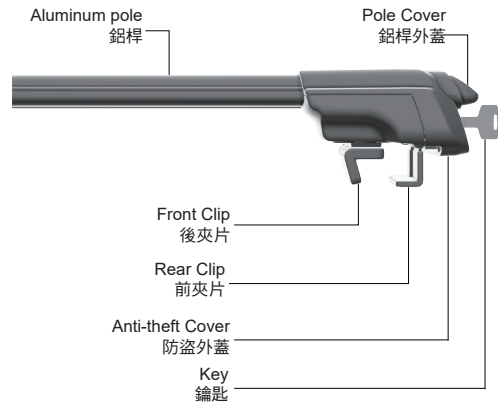
## Cross Bar Parts

### 兩用型車頂行李架配件

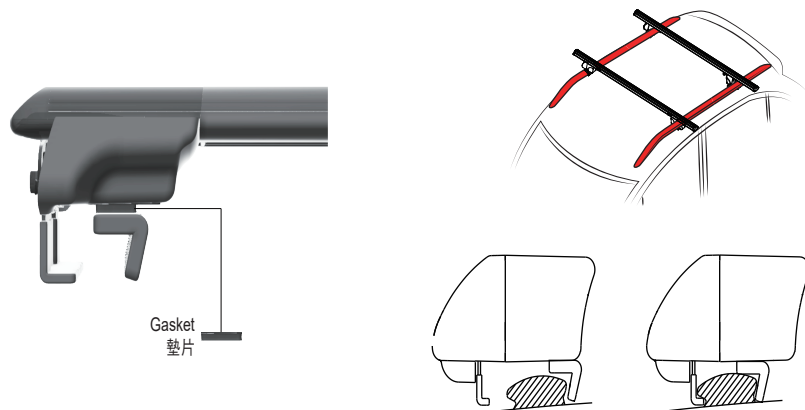
[ User Manual 使用手冊 ]



[Product Diagrams 產品圖示]



Extra Parts 額外零件

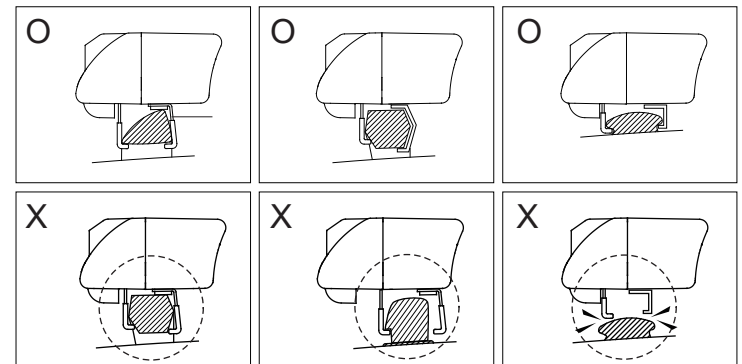
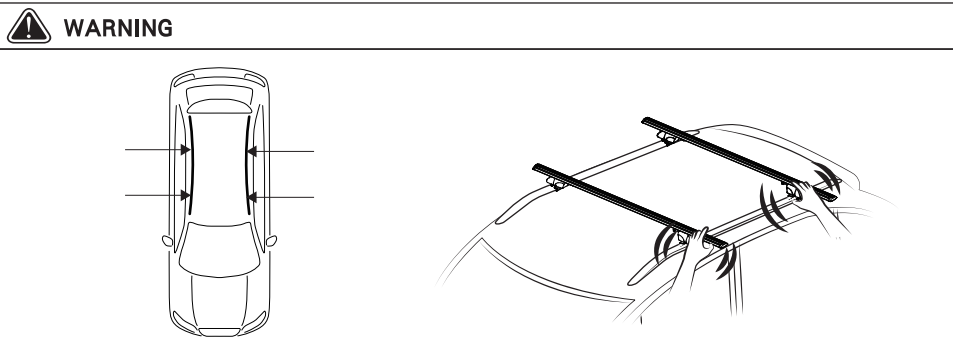


General Notes for Cross Bar

- The Cross Bar has been designed and manufactured to attach securely to a variety of vehicles with rails.
- Make sure that the Cross Bar is suitable for use with your particular vehicle and that items are secured and safely attached to the Cross Bars.
- To avoid product damage, the tightening force of each screw and nut should not exceed 7N-m.
- During the drive, please check the attachment of the Cross Bar to the car roof to ensure it is fastened securely.
- Retighten the bolts if necessary. Make sure all the parts are in good condition. Contact an authorized dealer if any part needs attention.
- Always check your local laws regarding vehicle roof accessories.
- The maximum load for this universal Cross Bar is 165 lbs.
- Do not over load! The minimum distance between Cross bars is 23.5". On rough roads, please reduce vehicle speed.
- This Cross Bar is designed for temporary use only, remove when not in use or in bad weather.
- Failure to obey the guidelines in the instruction will void the warranty.
- 3D® is not liable for any damage (to vehicles, cargo, and/or persons) in connection with purchase, use or handling of this product when the damage was caused by incorrect installation, or incorrect use of this product / accessories.

兩用型車頂架 使用前注意事項

- 開始安裝前，請確實閱讀安裝說明書並遵照說明書組裝流程，確認包裝內零件是否有缺損或損壞情形，以確保您的權益。
- 每次安裝前請檢查產品個零件是否有磨損導致損壞之情形，如有此現象，應立即停止使用，並連繫經銷商。安裝完成後，請妥善保存說明書。
- 每個螺絲螺母鎖緊的力道不應超過7N-m，以避免造成產品損壞。
- 每次使用前即裝載物品後，需重複確認產品安裝是否牢固，以免發生危險，甚至引發嚴重事故。
- 安裝上或檢查上若有任何問題請隨時與附近經銷商聯絡。
- 暫時不使用本產品或欲清潔車輛時，請先將產品卸下並妥善保存。車輛上路行駛時，請務必遵照當地交通法規與速限行駛以免發生危險。
- 本產品對任何因安裝不當或未依說明書指示安裝進而導致人身和財產損害，3D®將不承擔任何責任。



To check the clips are firmly hooked on the roof rail for sure.  
務必檢驗勾片穩固貼合並勾牢固於車頂縱桿之上